

4-Post Open Frame Racks

Rack depth fully adjustable



Construction

- Uprights on the tapped hole model are made of lightweight extruded aluminum (6063-T6 alloy) and include RU markings on both front and back of uprights
- Uprights on the square hole model are made from 12 gauge steel
- Top and bottom angles made of extruded aluminum (6063-T6 alloy)

Finish

Smooth RAL 9005 black polyester powder paint finish.

Load Rating

2500 lbs (1134 kg)

Industry Standards

UL 1863 listed, File No. E230874
cUL CSA22.2 No. 182.4, File No. E230874
EIA 310-D

Patents

6,655,533 (U.S.A.)

Application

4-Post Open Frame Racks provide the mounting security of a cabinet combined with the accessibility of an open frame rack. They are designed for use with LAN and WAN networking equipment, telephone and voice mail equipment, routers, servers, and switches. Their adjustable depth and solid mounting makes them particularly suited for heavy and deep equipment that may exceed the load rating of a standard 2-post rack.

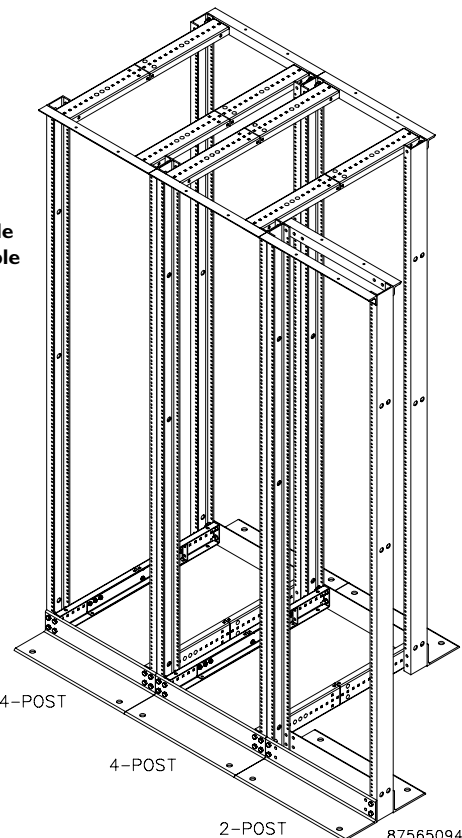
The 4-post rack can be ganged with other 2- and 4-post racks to fit the application. All 19-in. rack accessories fit the 4-post racks as well.

Features

- EIA universal 5/8 in. - 5/8 in. - 1/2 in. spaced 12-24 tapped holes or square holes fit 19 in. rack equipment
- Compatible with 19-in. rack accessories
- Depth adjustable 450mm to 1050mm (17.7 in. to 41.3 in.) in 25mm (.98 in.) increments
- Available with nominal frame height of 1.8, 2.1, and 2.4m (6, 7, and 8 ft)
- RU markings on both front and back of tapped hole uprights make it easier to mount equipment
- Floor mounting holes predrilled at .750 in. diameter
- Obtain floor mounting hardware locally
- 12-24 rack mounting screws (pkg. of 20) included with tapped hole model
- Can be ganged with both 2- and 4- post open Includes complete assembly instructions
- Shipped unassembled for convenient transport to job site

Standard Sizes 4-Post Open Frame Racks

Catalog Number	Mounting Hole Type	Rack Units	Nominal Frame Height (A) (m)	Nominal Frame Height (A) (ft)
E4DR19FM38U	Tapped	38	1.8	6
E4DR19FM45U	Tapped	45	2.1	7
E4DR19FM51U	Tapped	51	2.4	8
E4DRS19FM45U	Square	45	2.1	7
E4DRS19FM51U	Square	51	2.4	8

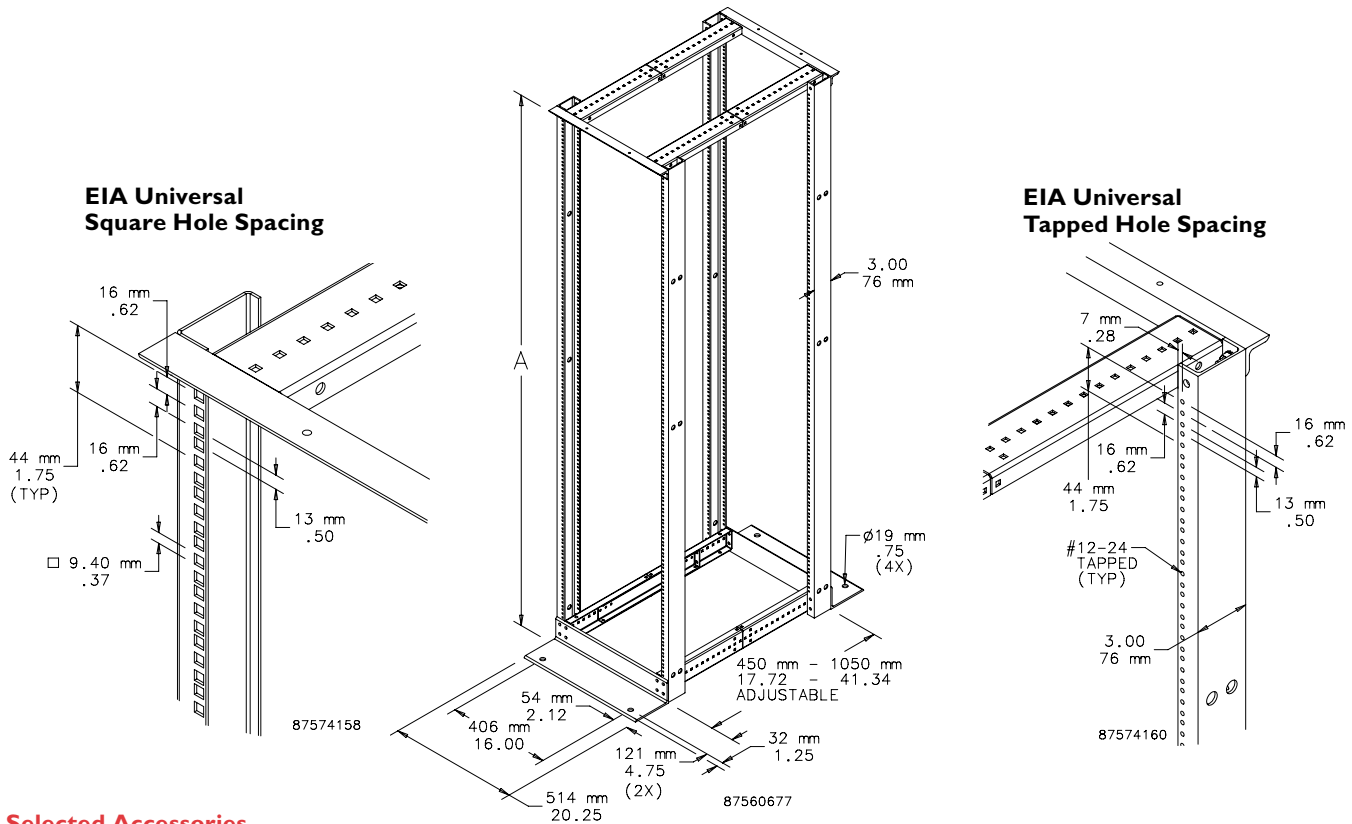


Both tapped and square hole models available
(tapped hole model shown)

4-post racks can be ganged with 2-post or other 4-post racks

4-Post Open Frame Racks

4-Post Open Frame Rack features EIA universal rack spacing, choice of square or tapped holes, and adjustable depth



Selected Accessories

See the Accessories chapter for accessory specifications and additional accessories.

Description	19 in. Accessories Catalog Number
Shelves	
One-sided Vented Shelf - black painted steel	ESH19V
Double-sided Vented Shelf - black painted steel	ESHDV19
One-sided Solid Shelf - black painted steel	ESH19S
Double-sided Solid Shelf - black painted steel	ESHDI19
Adjustable Shelf - black painted steel	ESHVA19
Keyboard/Monitor Shelf - black painted steel	ESH19KBM
Rack Mount Adjustable Shelf	P19SH68B
Rack Mount Adjustable Shelf	P19SH810B
19 in Double-sided Heavy Duty Shelf - brushed aluminum	ESHHDHA19
19 in Pull-out Keyboard Tray with Monitor Shelf - black painted steel	E19SKBM
19 in Pull-out Shelf for Mini Keyboard -black painted steel	P19KBSM
19 in Pivoting Keyboard Shelf with Mouse Tray - black painted steel	P19KBPVT
Sliding Equipment Shelf	P19SHP68B
Sliding Equipment Shelf	P19SHP810B
Cable Manager Arm	PHCB
Cable Management	
6-foot Vertical Cable Channel	EJC38U
7-foot Vertical Cable Channel	EJC45U
CableTek™ 7-ft Single-sided Vertical Cable Manager, 6 in. wide	DV6S7
CableTek™ 7-ft Double-sided Vertical Cable Manager, 6 in. wide	DV6D7
CableTek™ 7-ft Single-sided Vertical Cable Manager, 10 in. wide	DV10S7
CableTek™ 7-ft Double-sided Vertical Cable Manager, 10 in. wide	DV10D7

Description (continued)	19 in. Accessories Catalog Number
CableTek™ 19 in. Horizontal Cable Manager, single-sided, 1 RU	DCHS1
CableTek™ 19 in. Horizontal Cable Manager, single-sided, 2 RU	DCHS2
CableTek™ 19 in. Horizontal Cable Manager, double-sided, 2 RU	DCHD2
19" Horizontal Cable Manager	ECK19H
Horizontal and Vertical Cable Organizer	ECK19HV
Horizontal Cable Manager Cover	ECKCVR19
Cable Trough - steel with black finish	ECT19
Waterfall Top - steel with black finish	EWFT
Power Distribution Units (PDUs)	See Cable/Power Management
Mobile Base	A19MB1000
Fasteners	
Joining Kit - Side to Side	EJ2DR
12-24 UNC Screws, silver - package of 20/package of 250	ES1224/ES1224250
12-24 UNC Screws, black - package of 20/package of 250	ES1224B/ES1224B250
Velcro™ Cable Wrap - Black - 8 in./12 in.	ECW8B/ECW12B
Velcro™ Cable Wrap, Red - 8 in./12 in.	ECW8R/ECW12R
Velcro™ Cable Wrap, Blue - 8 in./12 in.	ECW8BL/ECW12BL
Velcro™ Cable Wrap, Yellow - 8 in./12 in.	ECW8Y/ECW12Y

Velcro™ is a trademark of Velcro Industries B.V.



A Pentair Company

HOFFMAN

2100 Hoffman Way, Anoka, MN 55303-1745 USA

(763) 421-2661 • Fax (763) 422-2588 • www.hoffmanonline.com

Customer Service (763) 422-2211