

2-Post Open Frame Racks



Two-Post Rack with shelves



Populated Two-Post Rack with vertical cable management

- Convenient rack and cable manager packages offered with either one or two 6 in. cable managers
- Each cable manager in the package includes a two-piece snap-on cover
- Packages are available in black or mill finish

Construction

- Frame is a strong and lightweight aluminum (6063-T6 alloy) extrusion with RU markings on both front and back of uprights

Finish

RAL 9005 black polyester powder paint or milled aluminum

Industry Standards

UL 1863 listed, File No. E230874
cUL CSA22.2 No. 182.4, File No. E230874
EIA 310-D

Load Rating

Do not exceed the following recommended load ratings.

Description	Suggested Load Rating (Lbs)	Suggested Load Rating (kg)
Floor Mount Rack	1000	453.6
One-Sided Solid Shelf	150	68.0
Double-Sided Shelf	300	136.1
One-Sided Vented Shelf	150	68.0
Double-Sided Vented Shelf	300	136.1
Adjustable Vented Shelf	60	27.2
Keyboard/Monitor Shelf	200	90.7

Application

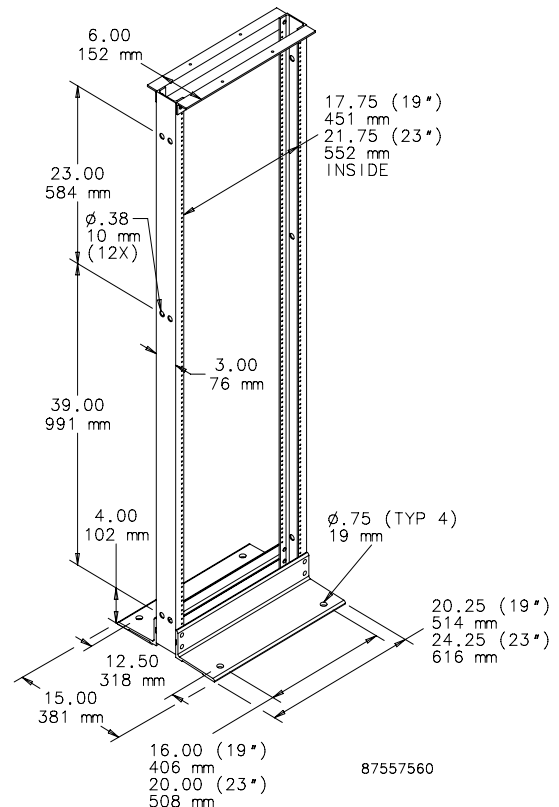
The 2-Post Open Frame Rack is a key element in a structured cabling system. With models sized to fit either 19 in. or 23 in. equipment, this floor mounted unit is particularly well suited for networking and data transmission applications.

Features

- Range of heights from 4 ft. to 9 ft. (24U to 58U) to match capacity requirements; 19 in. Rack Packages are 7 ft. high
- Side rails are tapped on both sides with 12-24UNC threads for quick installation
- EIA Universal 5/8 in. - 5/8 in. - 1/2 in. vertical mounting hole pattern matches industry standards
- RU markings on both front and back of uprights make it easier to mount equipment
- Packed unassembled in individual cartons; assembly hardware (including twenty 12-24 mounting screws) is furnished for convenient storage and installation
- Can be shipped via FedEx or UPS

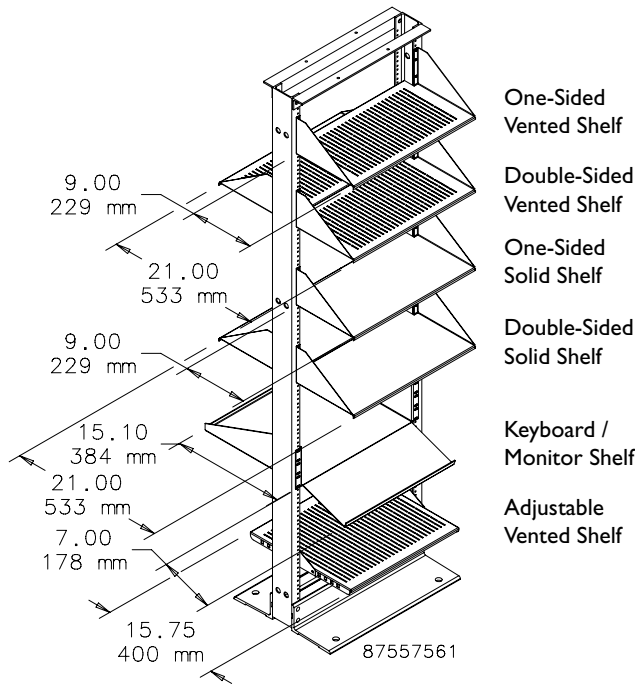
Standard Sizes 2-Post Open Frame Racks

Catalog Number	Description	Finish	Rack Units	Nominal Frame Height (ft)
EDR19FM24U	19 in. rack	Black	24	4
EDR19FM38U	19 in. rack	Black	38	6
EDR19FM45U	19 in. rack	Black	45	7
EVR19FM45U	19 in. rack	Mill	45	7
EDR19FM51U	19 in. rack	Black	51	8
EVR19FM51U	19 in. rack	Mill	51	8
EDR19FM58U	19 in. rack	Black	58	9
EVR19FM58U	19 in. rack	Mill	58	9
EDR23FM24U	23 in. rack	Black	24	4
EDR23FM38U	23 in. rack	Black	38	6
EDR23FM45U	23 in. rack	Black	45	7
EVR23FM45U	23 in. rack	Mill	45	7
EDR23FM51U	23 in. rack	Black	51	8
EVR23FM51U	23 in. rack	Mill	51	8
EDR19FM45UCM1	19 in. rack package, 1 cable manager	Black	45	7
EDR19FM45UCM2	19 in. rack package, 2 cable managers	Black	45	7



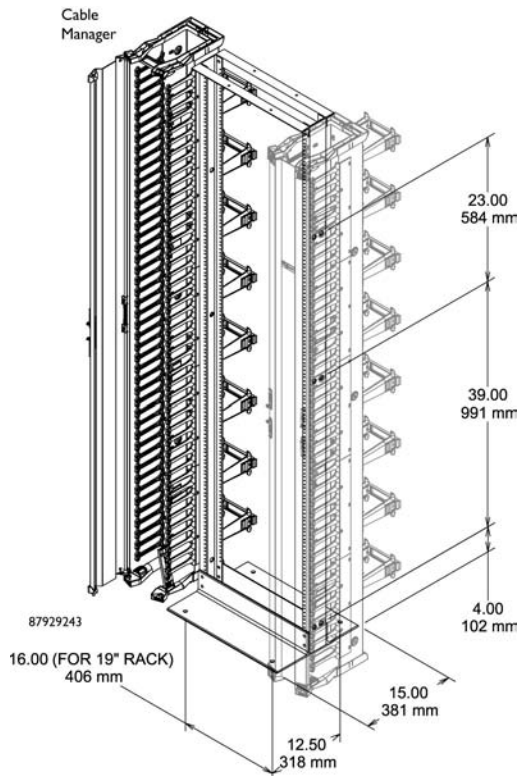
2-Post Open Frame Racks

19 in. Shelf Depths



2-Post Rack Package

(CableTek™ Vertical Cable Manager shown with alternate mounting locations)



Selected Accessories

See Accessories chapter for accessory specifications and additional accessories.

Description	19 in. Catalog Number	23 in. Catalog Number
Shelves		
One-sided Vented Shelf, black painted steel	ESH19V	ESH23V
Double-sided Vented Shelf, black painted steel	ESHDV19	ESHDV23
One-sided Solid Shelf, black painted steel	ESH19S	ESH23S
Double-Sided Solid Shelf, black painted steel	ESHD19	ESHD23
Adjustable Shelf, black painted steel	ESHVA19	ESHVA23
Keyboard/Monitor Shelf, black painted steel	ESH19KBM	ESH23KBM
19 in. Single-sided Shelf, brushed aluminum	ESHA19	
19 in. Double-sided Shelf, brushed aluminum	ESHDA19	
19 in. Double-sided Heavy Duty Shelf, brushed aluminum	ESHDHDA19	
19 in. Pull-out Keyboard Tray, Monitor Shelf, black painted steel	E19SKBM	
19 in. Pull-out Shelf for Mini Keyboard, black painted steel	P19KBSM	
19 in. Pivoting Keyboard Shelf, Mouse Tray, black painted steel	P19KBPVT	
Cable Management		
4-foot Vertical Cable Channel	EJC24U	
6-foot Vertical Cable Channel	EJC38U	
7-foot Vertical Cable Channel	EJC45U	
8-foot Vertical Cable Channel	EJC51U	
9-foot Vertical Cable Channel	EJC58U	
CableTek™ 7-ft Single-sided Vertical Cable Manager, 6 in. wide	DV6S7	
CableTek™ 7-ft Double-sided Vertical Cable Manager, 6 in. wide	DV6D7	
CableTek™ 7-ft Single-sided Vertical Cable Manager, 10 in. wide	DV10S7	
CableTek™ 7-ft Double-sided Vertical Cable Manager, 10 in. wide	DV10D7	
CableTek™ 19 in. Horizontal Cable Manager, single-sided, 1 RU	DCHS1	
CableTek™ 19 in. Horizontal Cable Manager, single-sided, 2 RU	DCHS2	
CableTek™ 19 in. Horizontal Cable Manager, double-sided, 2 RU	DCHD2	
19 in. Horizontal Cable Manager	ECK19H	
Horizontal and Vertical Cable Organizer	ECK19HV	ECK23HV
Horizontal Cable Manager Cover	ECKCVR19	ECKCVR23
Cable Trough, steel with black finish	ECT19	ECT23
Waterfall Top, steel with black finish	EWFT	
Panel Adapters, steel with clear plated finish		
1 rack unit		ERB1U2319
3 rack units		ERB3U2319
5 rack units		ERB5U2319
Power Distribution Units (PDUs)		See Cable/Power Management
Mobile Base		A19MB600

Velcro™ is a trademark of Velcro Industries B.V.

Fasteners

Description	Catalog Number
Joining Kit, Side to Side	EJ2DR
12-24 UNC Screws, silver, pkg. of 20/pkg. of 250	ES1224 / ES1224250
12-24 UNC Screws, black, pkg. of 20/pkg. of 250	ES1224B / ES1224250B
Velcro™ Cable Wrap - Black - 8 in. or 12 in.	ECW8B / ECW12B
Velcro™ Cable Wrap, Red - 8 in. or 12 in.	ECW8R / ECW12R
Velcro™ Cable Wrap, Blue - 8 in. or 12 in.	ECW8BL / ECW12BL
Velcro™ Cable Wrap, Yellow - 8 in. or 12 in.	ECW8Y / ECW12Y