

AccessPlus™ Type I Double-Hinged Wall-Mount Cabinets



Application

The AccessPlus™ Type I Double-Hinged DataCom Wall-Mount Cabinet is perfect for applications where security and accessibility are required and floor space is at a premium. This versatile cabinet mounts to a wall or can be pole-mounted with optional pole-mounting kit. Designed to hold multiple pieces of voice/data equipment comfortably, it can be mounted to be left- or right-hinged and comes completely assembled and ready to mount.

Features

- Double-hinged for easy equipment access
- Solid or window front door with keylock
- Window on window door is tinted safety glass
- Front access to center body hinging and back section latches
- Latch on front door eliminates need to access sides to open door or back section latches
- Latch-free sides permit cabinet to be installed tightly into a corner
- Vented sides improve heat dissipation
- Knockouts on enclosure top and bottom for optional 4 inch cooling fan or filter kit when increased heat dissipation is needed
- Available with knockouts or gland plates on top and bottom of enclosure for cable entry
- Knockout models have center section to rear section adjustable stop to keep center section from opening too far and hitting adjacent equipment and to provide a solid position when mounting cables on patch panels
- Gland plate models allow installing prewired patch panels into enclosure without removing cables

- Door and center sections can be removed for easy, one-person mounting to wall
- Hidden hinges with removable, retained hinge pins provide sleek appearance and improved security
- Rack angles movable front to back in center section for increased equipment mounting versatility
- Self-grounding rack angles meet grounding requirements
- Cable tie down slots throughout cabinet facilitate cable system maintenance
- Raised pads on back of enclosure provide mounting means for accessories
- Accommodates wall mounting or pole mounting (kit needed)

Construction

- Quality welded 16 and 14 gauge steel construction
- Rack angles made of self-grounding plated steel and tapped with 10-32 threads
- Twenty 10-32 fasteners included

Finish

Phosphatized steel coated with RAL 9005 black textured, low gloss polyester powder paint. Other finishes available—contact Hoffman Customer Service.

Industry Standards

EIA 310-D
UL 508A File No. E61997: Type I
UL 1863 Listed, File No. E230874
cUL CSA C22.2 No. 182.4, File No. E230874
NEMA Type I

Load Rating

Models With Knockouts

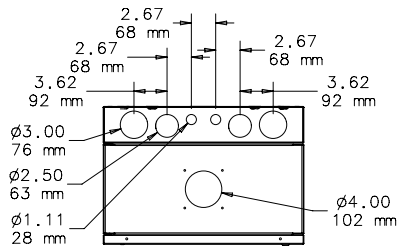
2 and 3 ft (.61 and .91m) tall units rated at 125 lb (56.7 kg)
4 ft (1.22m) tall units rated at 175 lb (79.4 kg)
5 and 6 ft (1.52 and 1.83m) tall units rated at 200 lb. (90.7 kg)

Models With Gland Plate

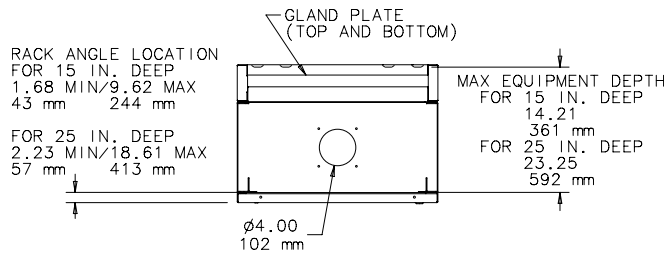
2 and 3 ft (.61 and .91m) tall units rated at 100 lb (45.4 kg)
4 ft (1.22m) tall units rated at 125 lb (56.7 kg)

Standard Sizes DataCom AccessPlus™ Type I Double-Hinged Wall-Mount Cabinet

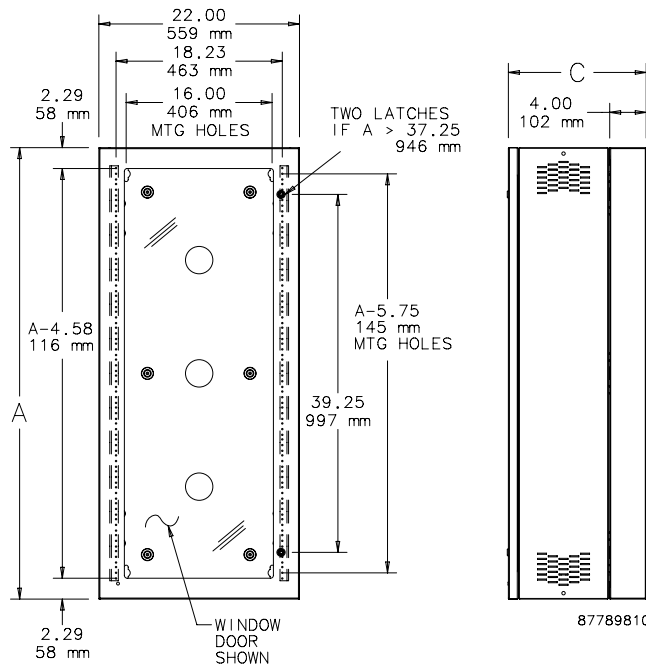
Solid Door with Knockouts Catalog Number	Solid Door with Gland Plate Catalog Number	Window Door with Knockouts Catalog Number	Window Door with Gland Plate Catalog Number	Rack Units	A (in.)	A (mm)	B (in.)	B (mm)	C (in.)	C (mm)	No. of Latches	Additional Rack Angles
EWMS242215	EWMSGP242215	EWMW242215	EWMWGP242215	12	25.00	635	22.00	559	15.00	381	1	ERA1924TPLWM
EWMS362215	EWMSGP362215	EWMW362215	EWMWGP362215	19	37.25	946	22.00	559	15.00	381	1	ERA1936TPLWM
EWMS482215	EWMSGP482215	EWMW482215	EWMWGP482215	26	49.50	1257	22.00	559	15.00	381	2	ERA1948TPLWM
EWMS602215	—	EWMW602215	—	32	60.00	1524	22.00	559	15.00	381	2	ERA1960TPLWM
EWMS722215	—	EWMW722215	—	39	72.00	1829	22.00	559	15.00	381	2	ERA1972TPLWM
EWMS242225	EWMSGP242225	EWMW242225	EWMWGP242225	12	25.00	635	22.00	559	25.00	635	1	ERA1924TPLWM
EWMS362225	EWMSGP362225	EWMW362225	EWMWGP362225	19	37.25	946	22.00	559	25.00	635	1	ERA1936TPLWM
EWMS482225	EWMSGP482225	EWMW482225	EWMWGP482225	26	49.50	1257	22.00	559	25.00	635	2	ERA1948TPLWM
EWMS602225	—	EWMW602225	—	32	60.00	1524	22.00	559	25.00	635	2	ERA1960TPLWM
EWMS722225	—	EWMW722225	—	39	72.00	1829	22.00	559	25.00	635	2	ERA1972TPLWM



TOP VIEW WITH KNOCKOUTS



TOP VIEW WITH GLAND PLATE



AccessPlus™ Type I Double-Hinged Wall-Mount Cabinets

**TYPE I DOUBLE-HINGED
WALL-MOUNT CABINETS**

**Bulletin
DWDHI**

DataCom Wall-Mount Cabinet with Gland Plate Application



This cabinet offers significant advantages in retrofit applications. It can be mounted with the gland plate both at the top and the bottom to accommodate cable runs from above or below. The gland plate casing can be removed while patch panels and associated wiring are brought to the cabinet.

1. Lay in patch panel.



2. Install the cabinet case, securing the cable in the gland plate.



3. Use wire ties or cable wraps to secure cable to the cabinet.



4. Install center section, then mount patch panels on rack angles.



5. Attach hinged door and lock with key lock.



DataCom Products

Selected Accessories

See the Accessories chapter for accessory specifications and additional accessories.

Description	Accessory Catalog Numbers
Shelves	
One-sided Solid Shelf, black painted steel, 8 in. deep, rack mtd.	ESH198
One-sided Solid Shelf, black painted steel, 17 in. deep, rack mtd.	ESH1917
Cable Management	
19 in. Horizontal Cable Manager, with fingers and cover	ECM19F2U
Horizontal Cable Manager, black painted steel	ECK19H
Horizontal Cable Manager Cover, black painted steel	ECKCVR19
Cable Spool, 1-1/2 in. high, 10/pkg., includes mounting screws	PSP00L
Cable Spool, 4 in. high, 10/pkg., includes mounting screws	P4SP00L
Fans	
4 in. Standard Fan, corded, 115VAC, 100 cfm	A4AXFNPG
4 in. Quiet Fan, corded, 115VAC, 49.4 cfm	A4AXFNGQ
4 in. Filter Package	AFLTR4LD
Power Distribution Units (PDUs)	See Cable/Power Management
Mounting	
Patch Panel Rack Angles, swivel 45° down, galvanized steel, 2/pkg.	DBPRA4U
Pole Mounting Kit	CPMK24
Mounting Foot Kits	
Steel	CMFK
Stainless Steel	CMFKSS
Composite	CMTGFT
Strut Wall-Mounting Kit, mounts cabinet to wall	DB24WMTK
Fasteners	
Screw Kit, 10-32 x 5/8 in. combo head, silver, 20 per package	AS1032
Screw Kit, 10-32 x 5/8 in. combo head, silver, 250 per package	AS1032250
Velcro™ Wrap, Black - 8 in./12 in.	ECW8B/ECW12B
Velcro™ Wrap, Red - 8 in./12 in.	ECW8R/ECW12R
Velcro™ Wrap, Blue - 8 in./12 in.	ECW8BL/ECW12BL
Velcro™ Wrap, Yellow - 8 in./12 in.	ECW8Y/ECW12Y

Velcro™ is a trademark of Velcro Industries B.V.